

MODEL F-5000 SPECIFICATIONS



**WATERFREE URINAL
VITREOUS CHINA**



SEALED CARTRIDGE

DESCRIPTION

The Falcon model F-5000 is a vitreous china wall hung, wall outlet waterfree urinal. It requires no flush valve or water supply, and plumbs to standard drain connections. The F-5000 utilizes a replaceable sealed locking cartridge, with bayonet tabs, is made of recyclable ABS plastic and utilizes a 100% biodegradable liquid sealant.

SPECIFICATIONS

- Vitreous china fixture
- Housing (H-1, Mod. 3)
- Cartridge kit*
- One piece wall bracket with anchors
- Uni-coupler
- Drain line test cap
- Instruction sheet

*Additional cartridges sold separately

COLORS

Standard white; available in other colors

NOMINAL DIMENSIONS (W x H x D)

13 x 19.625 x 14 inches [330 x 498 x 356 mm]

APPROXIMATE WEIGHT

27 lbs. [12.3 kg]

COMPLIANCE CERTIFICATIONS



Meets ANSI/ASME A112.19.19-2006 for vitreous china non-water urinals.
Meets the American Disabilities Act guidelines and ANSI A117.1 for accessible and usable buildings and facilities. Complies with International Plumbing Code and National Standard Plumbing Code.

H1 HOUSING (H-1, MOD. 3)

The factory installed housing is comprised of a bowl with a tailpiece and a mounting flange of 316 Stainless Steel. It is sealed into the bowl drain opening by a profile gasket made of a synthetic rubber. The housing and gasket are compressed into the drain opening by the installation of a retaining nut, and a friction washer.

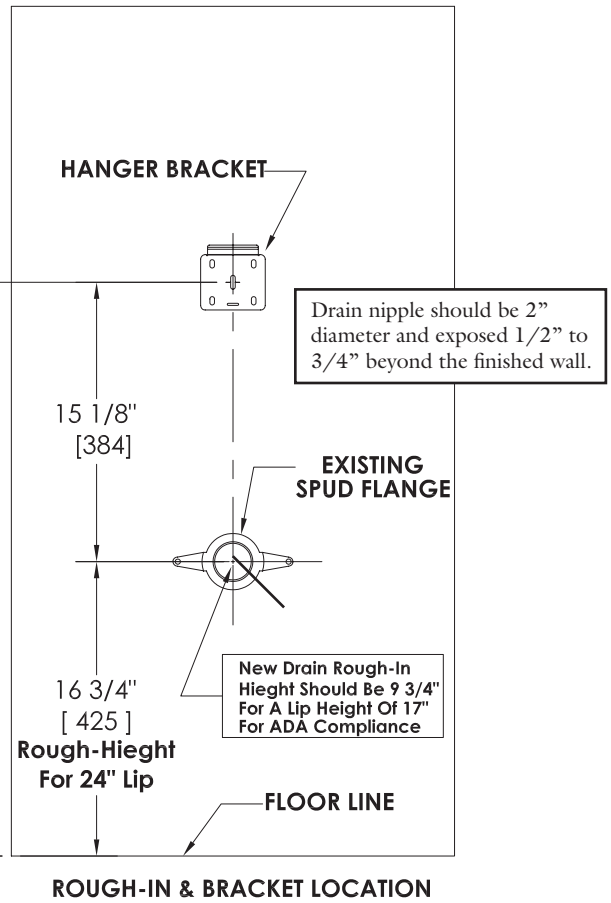
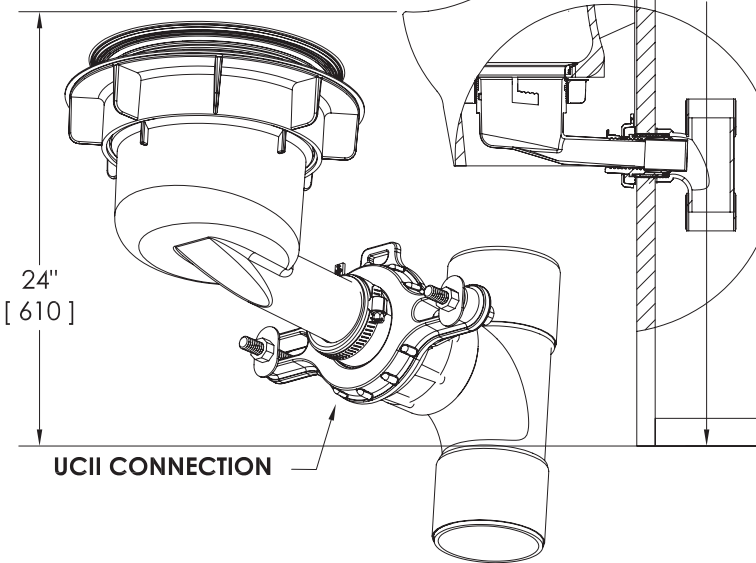
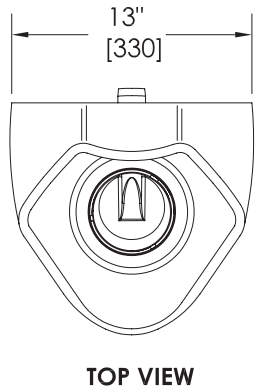
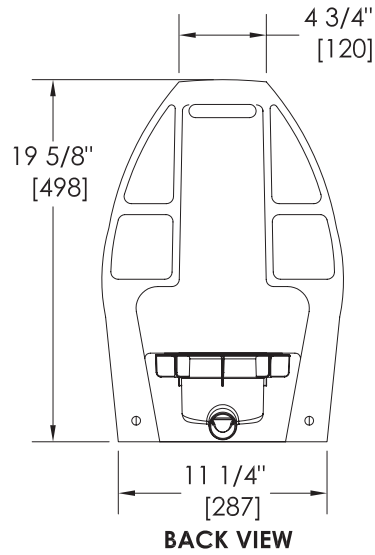
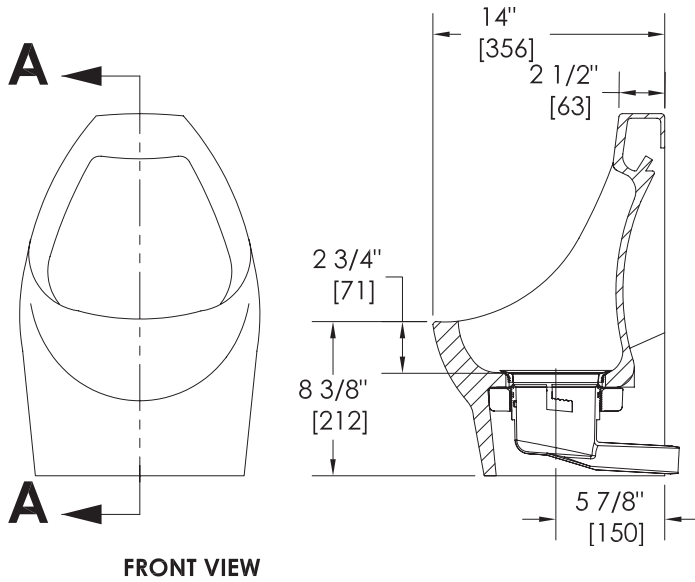
CARTRIDGE KIT

The patented cartridge is engineered to last for an average of three to four months in typical installations and to receive urine through drain holes. Urine passes through an immiscible layer of biodegradable sealant, continues through a siphon trap system, and flows out through a baffle to prevent the loss of sealant. A discharge tube in the housing directs the flow of urine into the building drain system. The cartridge is designed as a replaceable component when its function has been exhausted.

UNI-COUPLER

The housing is connected to the building drain system by means of the Falcon Uni-coupler. The coupler conforms to NSF 14 for plastic pipes and fittings. It is designed to be used in both retrofit and new installations. It offers a variety of configurations which allow it to couple to most existing drain openings.

MODEL F-5000 SPECIFICATIONS



Revised 10/18/06

The information in this document is subject to change without notice.



Falcon Waterfree Technologies, LLC
 Tel: 866.275.3718 (toll-free) • Fax: 616.954.3579 • info@falconwaterfree.com

www.falconwaterfree.com