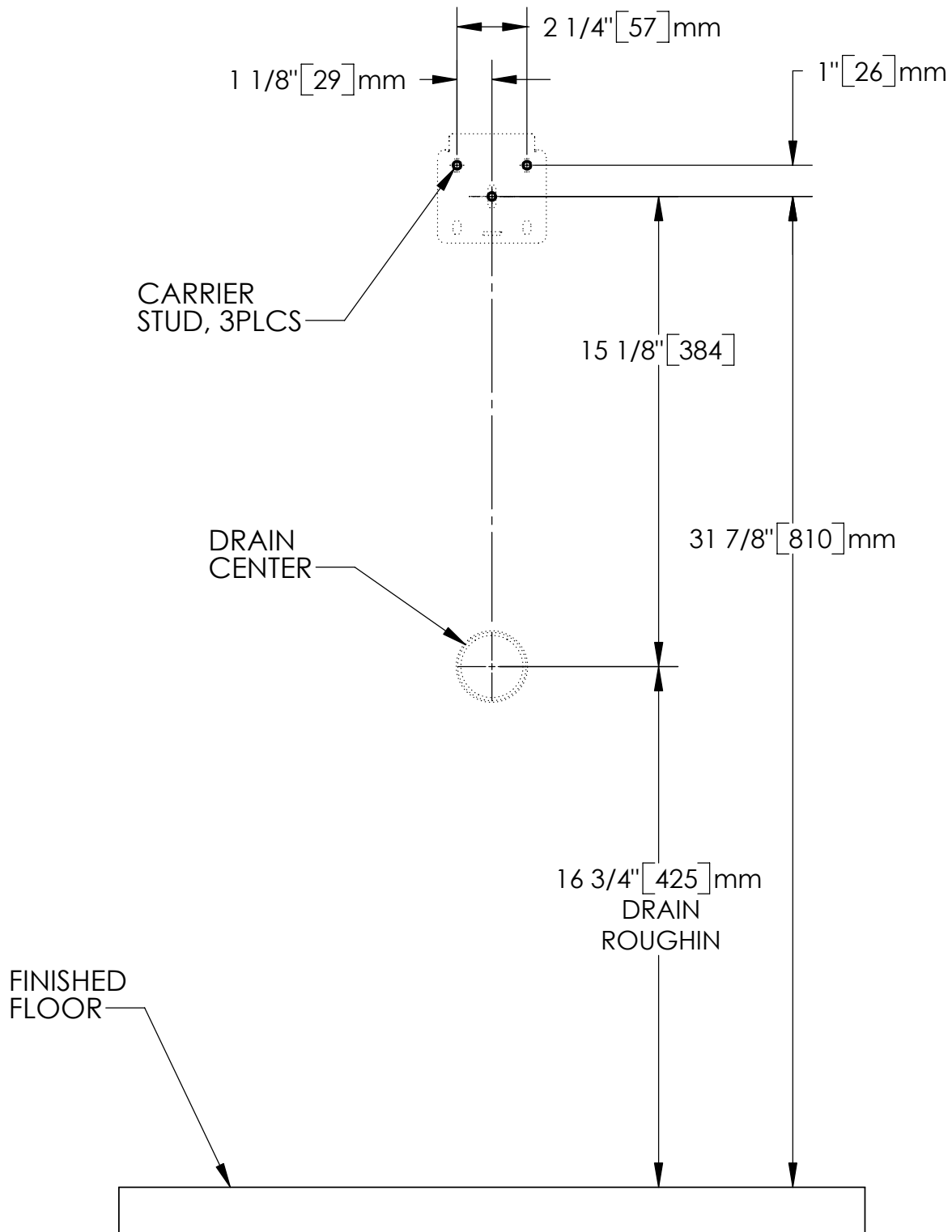




F-5000 FIXED UNI-BRACKET CARRIER STUD PLACEMENT

Note: Fractional dimensions are rounded to the nearest 1/16"
Dimensions in (mm) are rounded to the nearest 1mm

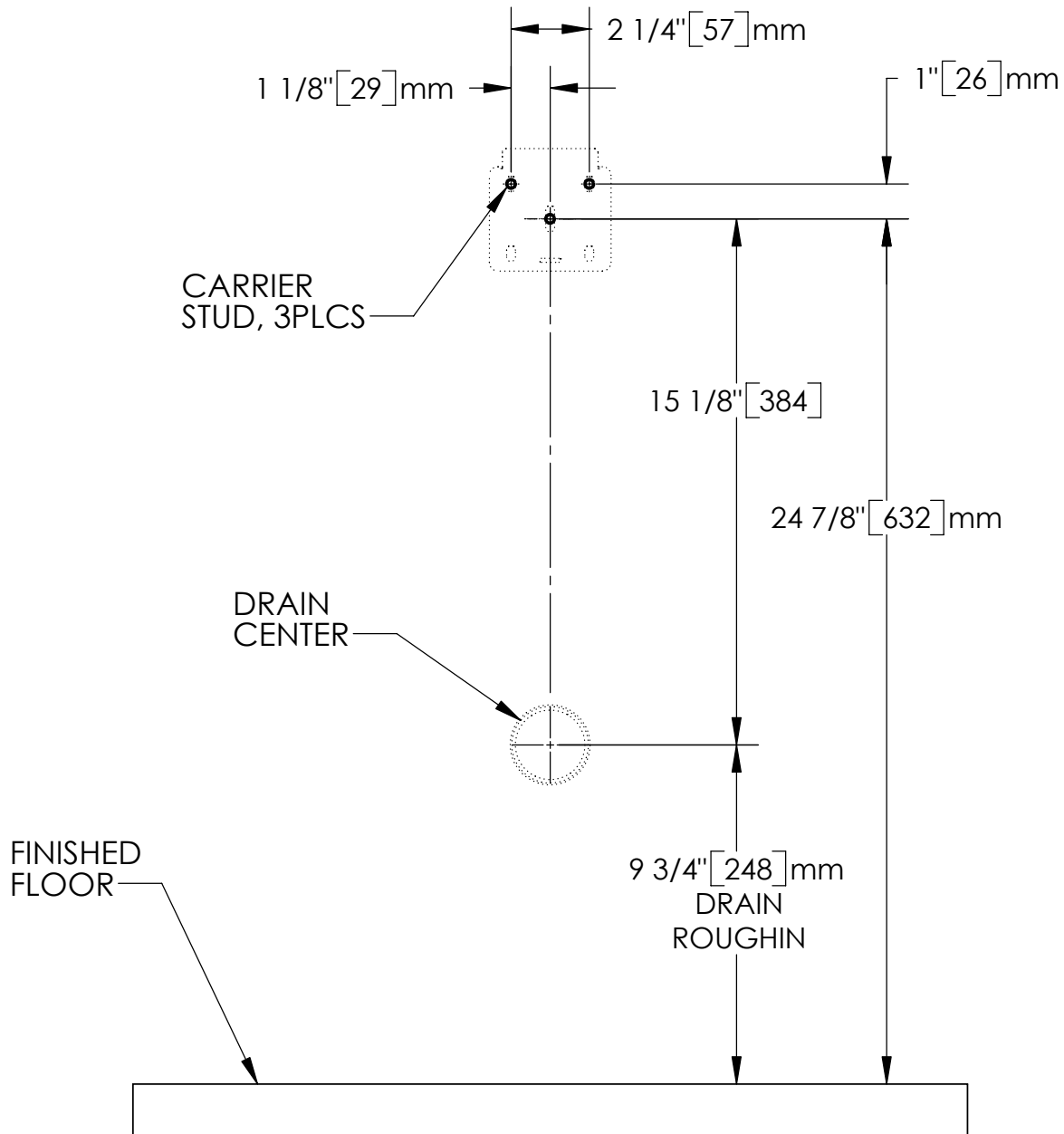


Rev. 11/1/2006



F-5000 ADA, FIXED UNI-BRACKET CARRIER STUD PLACEMENT

Note: Fractional dimensions are rounded to the nearest 1/16"
Dimensions in (mm) are rounded to the nearest 1mm



Rev. 11/1/2006